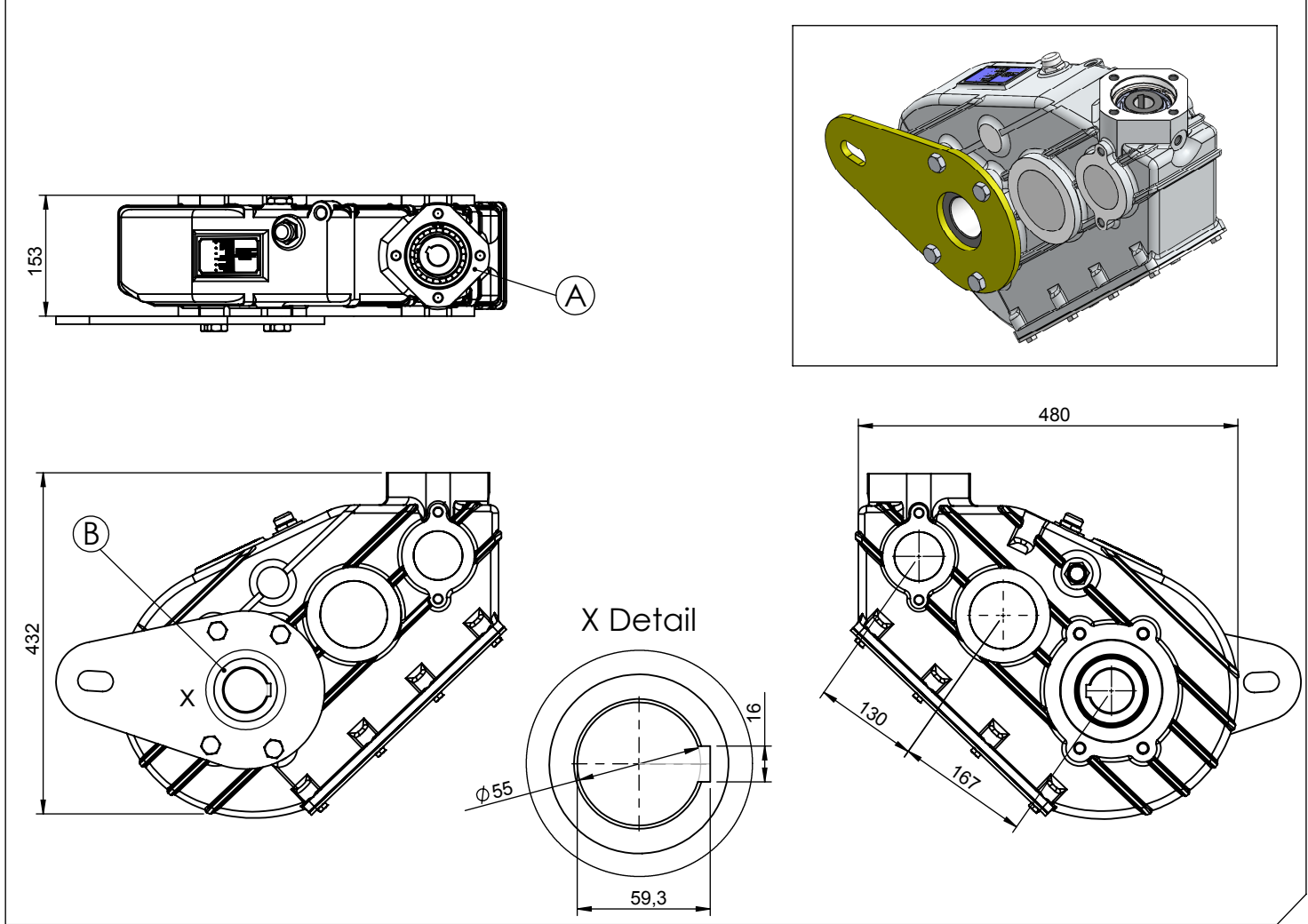


Application Type	Horizontal or Vertical Usage
Gearbox Type	3 Axis RPM Increaser/Decreaser

Product Code	KRD.14
---------------------	---------------



Products Views



Component Details

A: Hydromotor Input (OMR 250)
B: Reducer Output

Technical Details

Max. Power	Max. Torque		Input/Output	Mounting Type	Sense of Rotation
	Nm	kgm			
kW				Split Shaft	
65	618	63	65/1	Weight	Opposite of Input
				45 kg	